

AUTOMATIC FIRE SUPPRESSION SYSTEM

SPECIALITIES

- ELECTRICALLY NON CONDUCTIVE
- NON CORROSIVE
- RESISTANT TO TEMPERATURE CHANGES
- LEAVES NO RESIDUE
- DOES NOT DAMAGE EQUIPMENT
- ZERO OZONE DEPLETING POTENTIAL

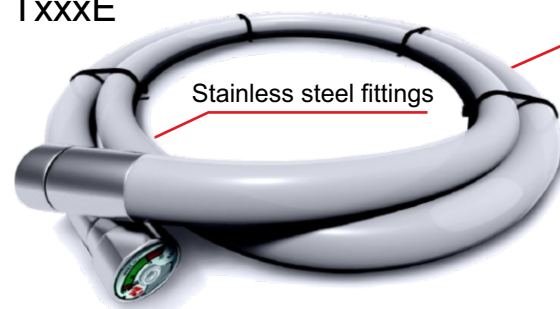
FEATURES

- PORTABLE
- NO CYLINDER FOR STORAGE REQ.
- COST EFFECTIVE
- OPTIONAL PRESSURE SWITCH
- CLEAN & EFFECTIVE AGENT
- NO PRESSURIZATION NEEDED
- AUTOMATIC OPERATION
- MAINTENANCE FREE
- LONG WORKING LIFE
- SIMPLE INSTALLATION
- PRESSURE GAUGE



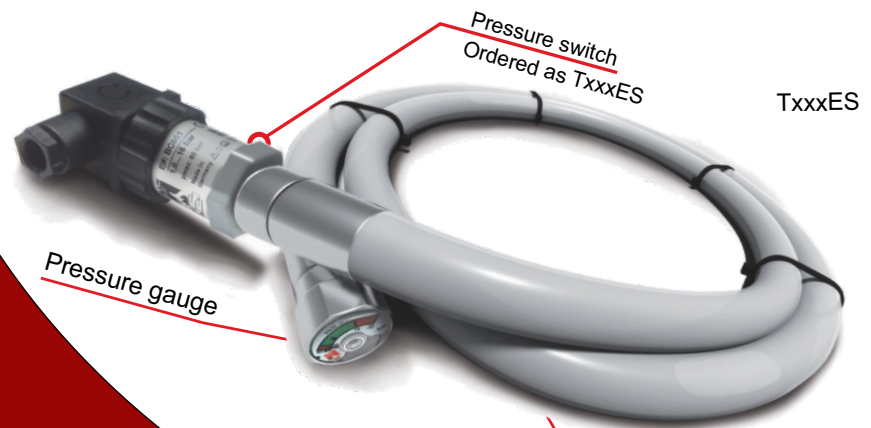
**ADVANCED FIRE
SAFETY INDIA
PVT LTD**

TxxxE



Stainless steel fittings

Self contained system
No maintenance required



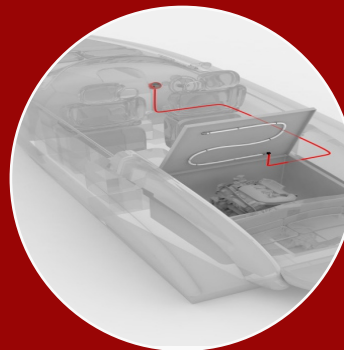
Pressure switch
Ordered as TxxxES

TxxxES

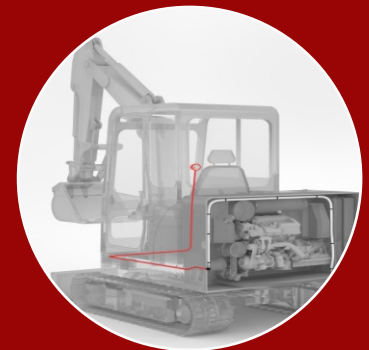
Pressure gauge

Heat sensitive BlazeCut Tube
with clean extinguishing agent

APPLICATIONS



**YACHTS/
SHIPS**



**COMMERCIAL
VEHICLES**



**SERVER/
PANEL**



CARS

Contact us:

© 0120-4228301 | ✉ sales.afsipl@gmail.com | 🌐 www.afsfiresafety.in